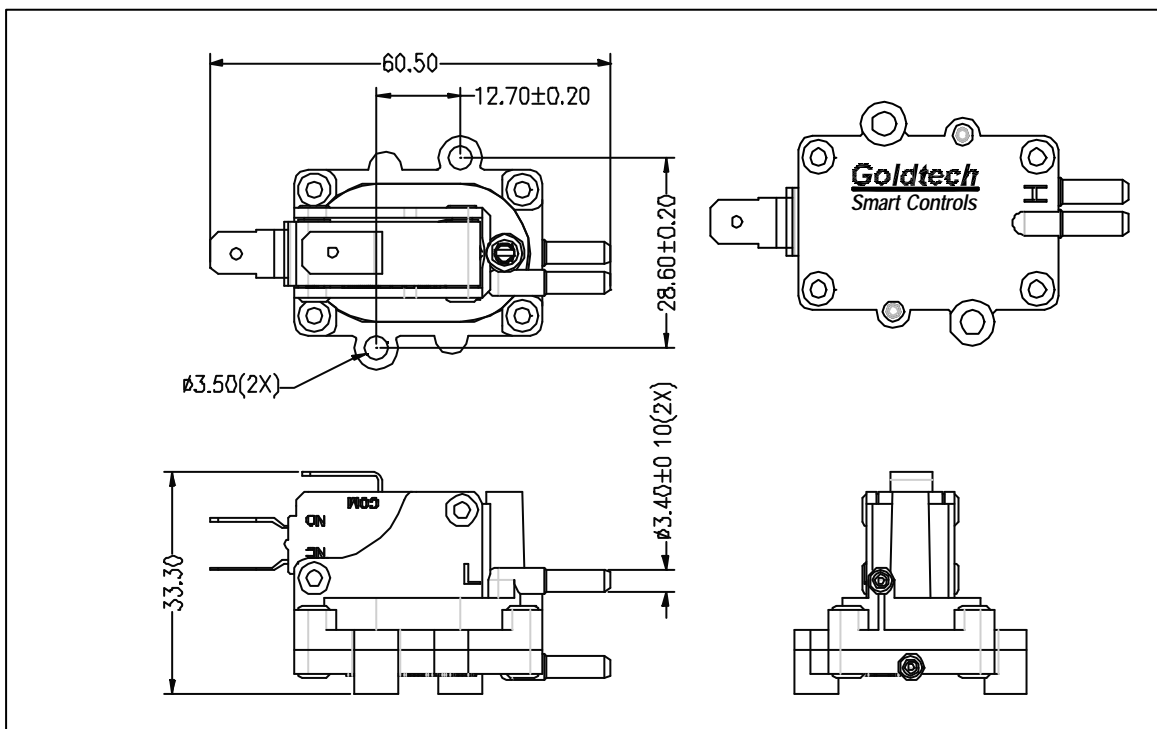
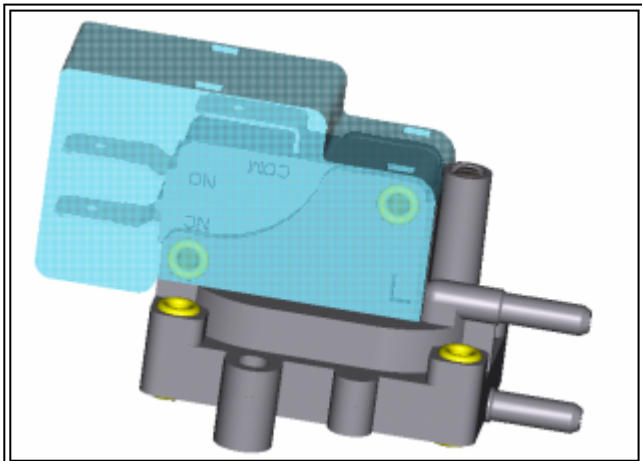
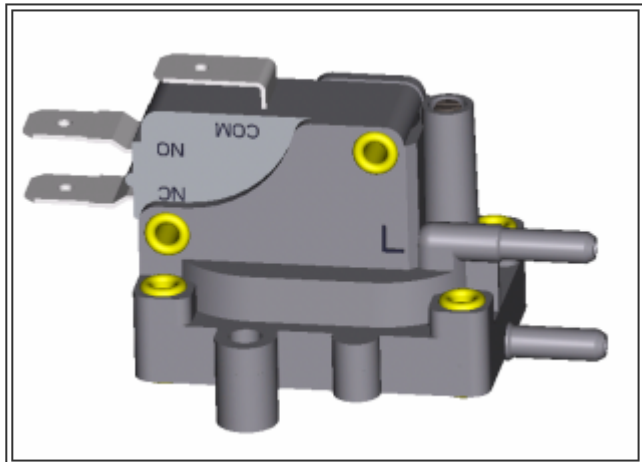


Introduction:

- PS-200 series pressure switches feature with wide set point range from 5" w.c to 100" w.c.
- Electrical ratings from 0.1A to 22A; 100,000 min. electrical cycles, UL Approved.
- Fixed Setpoint or adjustable setpoint versions.
- Positive, negative or pressure differential control.
- Can be used as "Air Button Switch" for remote control applications, or used as safety switch in applications where water is used in conjunction with electricity.
- Dustproof construction allows the micro-switch operate smoothly even in a dusty environment.



Specifications:

Switch type: SPDT, SPST-NO, SPST-NC	Pressure Set point: 5~100" WC
Switch Medium: Air or compatible fluids	Set point Tolerance: +/- 10% typical
Mechanical Life: 1 million cycles, min. Electrical Life: 100,000 cycles min. at rated load (UL) 50,000 cycles min. at rated load (VDE)	Max. Pressure Allowed: 15PSI (100kPa)
Operating Temperature: -40 ~ +85 deg C (standard)	Mounting Type: Two 3.5mm dia. mounting holes
Switch Ratings: 0.1A 125/250VAC (100,000 cycles) 5A 125/250VAC (100,000 cycles) 15.1A 125/250VAC (100,000 cycles) 22A 125/250VAC (50,000 cycles) 1/2HP 125VAC 3/4HP 250VAC	Connections: Positive and Negative straight tubes for 1/8" or 3mm ID flexible tube. Applications: Positive only Negative only Differential Pressure Sensing
Terminal Size: 6.3X0.8 mm quick insertion 4.8X0.5 mm quick insertion (other QC standard terminals available)	Construction: Plastic Case, UL94-V0 Silicone Diaphragm Micro Switch
Sensing Media: Air and other compatible fluids	Accessory: Connection Adapter Restrictor

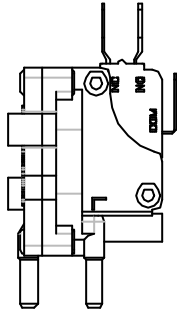
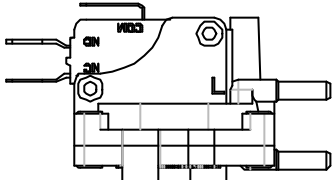
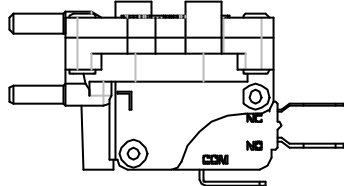
Set point ranges and electrical ratings:

Class	Set point range	Electrical ratings
Low range	5~12" WC	0.1A 125/250VAC 5A 125/250VAC 1/2HP 125VAC
Middle range	12~32" WC	0.1A 125/250VAC 5A 125/250VAC 15.1A 125/250VAC 1/2HP 125VAC 3/4HP 250VAC
High range	32~100" WC	0.1A 125/250VAC 5A 125/250VAC 15.1A 125/250VAC 22A 125/250VAC 1/2HP 125VAC 3/4HP 250VAC

Mounting orientation and set point variation

The calibration orientation is to be “diaphragm in vertical plane” by default, the other orientations’ setpoint value can be converted by the table below:

Mounting orientation	Set point		Tolerance	Remarks
Diaphragm in vertical plane	X mbar	X “w.c.	± 6%	Default orientation
Horizontal, micorswitch up	X + 0.75 mb	X + 0.3” w.c.	± 8%	
Horizontal, micorswitch down	X - 0.75 mb	X - 0.3” w.c.	± 8%	
Other orientations	----	----	± 10% max.	

Diaphragm in vertical plane	Horizontal, micro switch up	Horizontal, micro switch down
		

Remark: For higher accuracy, please let us know the mounting orientation in your applications, we will calibrate the setpoint according to your mounting orientation. Consult our sales representatives for more information.

Electrical Connection

Figure	Circuit
